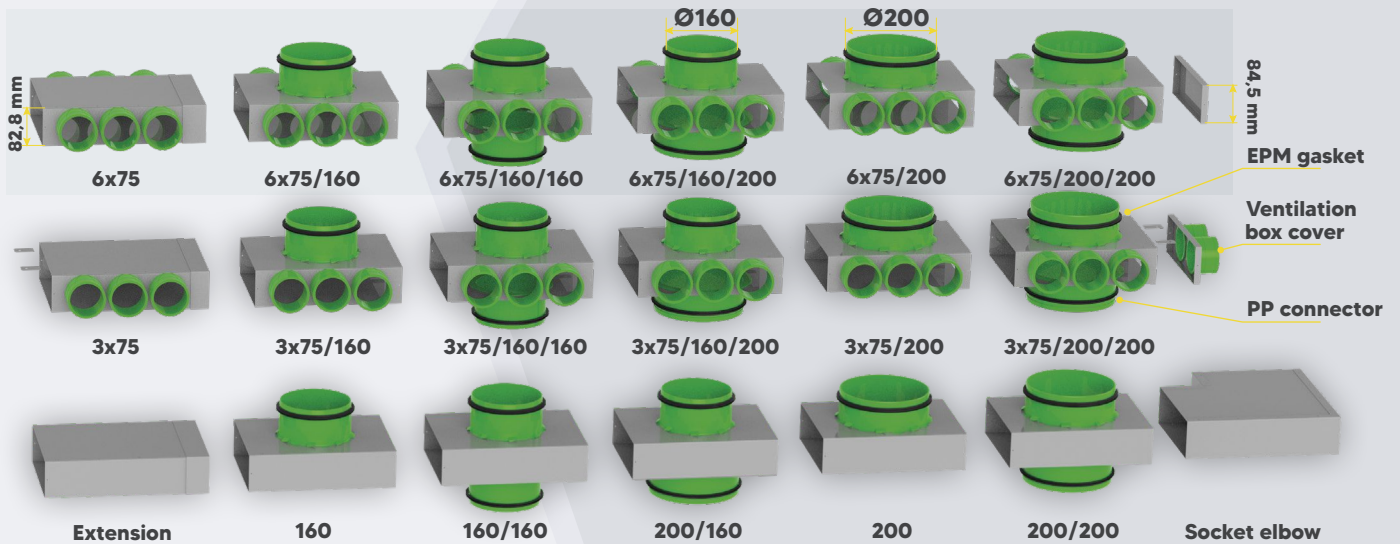


# 21 ELEMENTS

up to 240 possible combinations

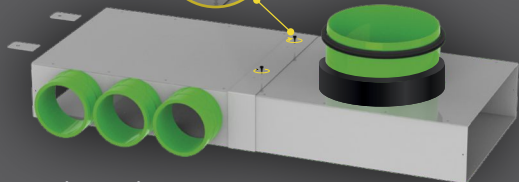


WITH THIS SYSTEM, NO CONSTRUCTION PROJECT WILL TAKE YOU BY SURPRISE

1



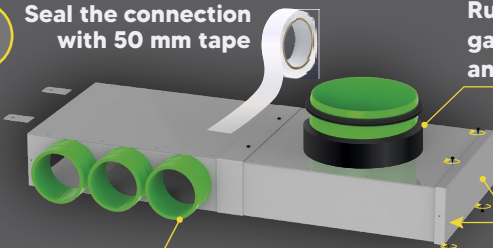
Quick assembly with screws



Sheet metal with a thickness of up to 0.7 mm

2

Seal the connection with 50 mm tape

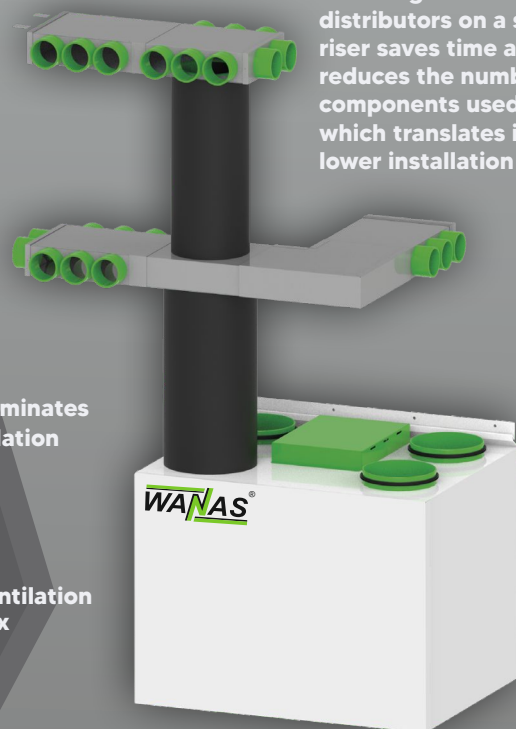


Rubber insulation eliminates gaps in thermal insulation and reduces noise

Rubber pipe connector Ø75 with triple seal

Connect the ventilation cover to the box

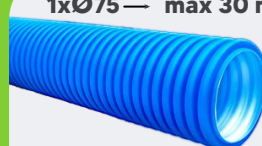
• Installing two air distributors on a single riser saves time and reduces the number of components used, which translates into lower installation costs



## RECOMENDED DIAMETER OF INTAKE PIPE

240 m<sup>3</sup>/h → 8xØ75 → Ø160  
 300 m<sup>3</sup>/h → 10xØ75 → Ø160-Ø200  
 360 m<sup>3</sup>/h → 12xØ75 → Ø200

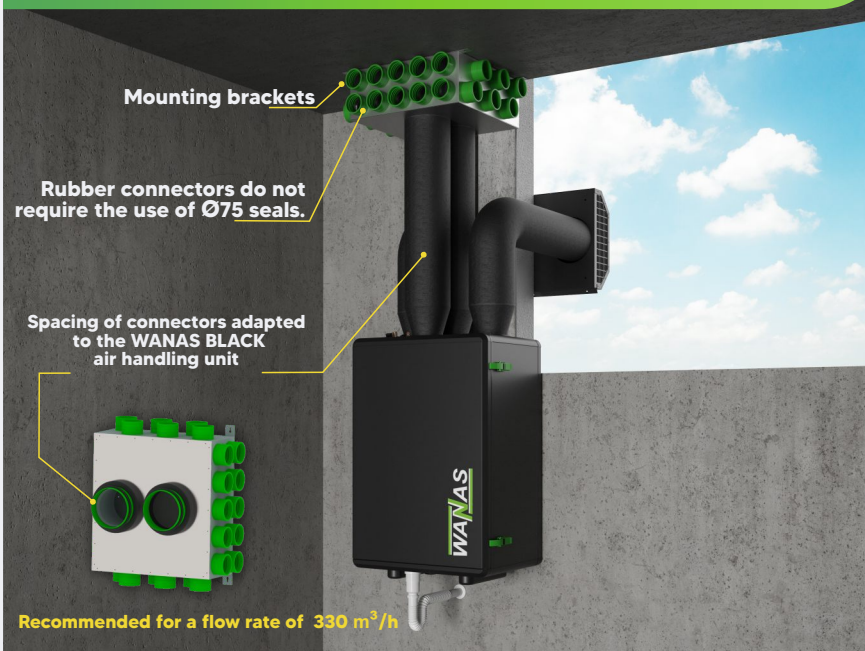
1xØ75 — max 30 m<sup>3</sup>/h



Polish manufacturer



# SUPPLY AND EXHAUST AIR DISTRIBUTOR



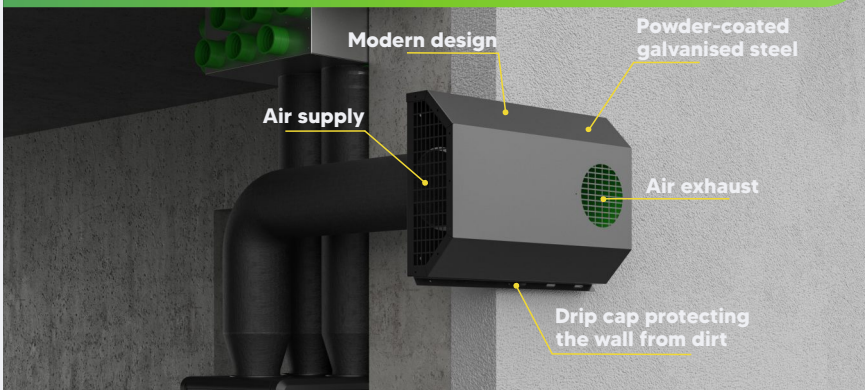
Ceiling-mounted supply and exhaust air distributor dedicated to WANAS BLACK air handling units. Saves space and reduces installation costs.

Air supply 11xØ75 Output Ø160  
Air exhaust 11xØ75 Input Ø160

## What you gain:

- One air distributor instead of two - shorter installation time
- Lower installation costs
- Internal insulation - better efficiency
- Built-in noise damper - quiet system operation

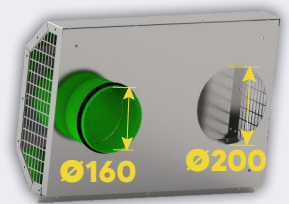
## EXTERNAL INTAKE/OUTTAKE



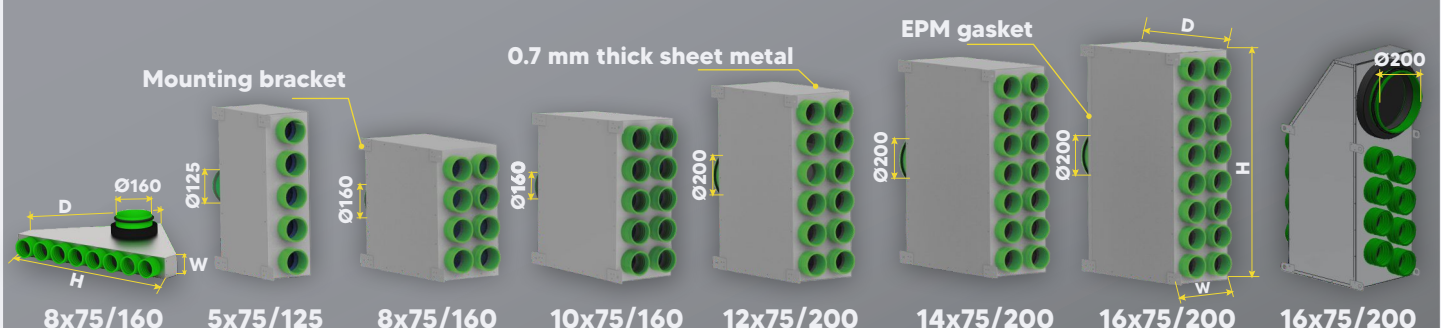
### AVAILABLE COLOURS OF THE EXTERNAL INTAKE/OUTTAKE

■ RAL 7016 ■ RAL 7047 □ RAL 9016

- Easy and quick installation
- Adjustable
- Modern design



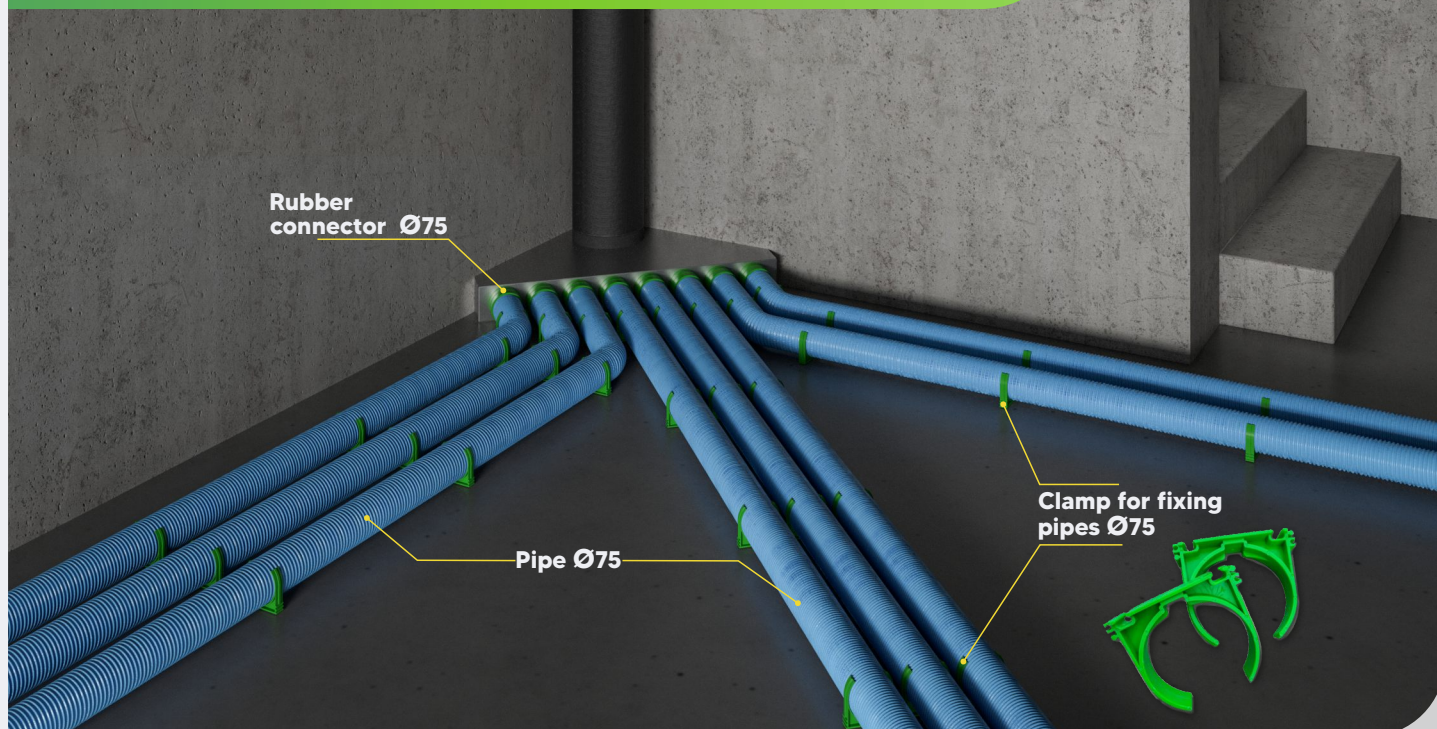
## INSULATED GALVANISED AIR DISTRIBUTORS



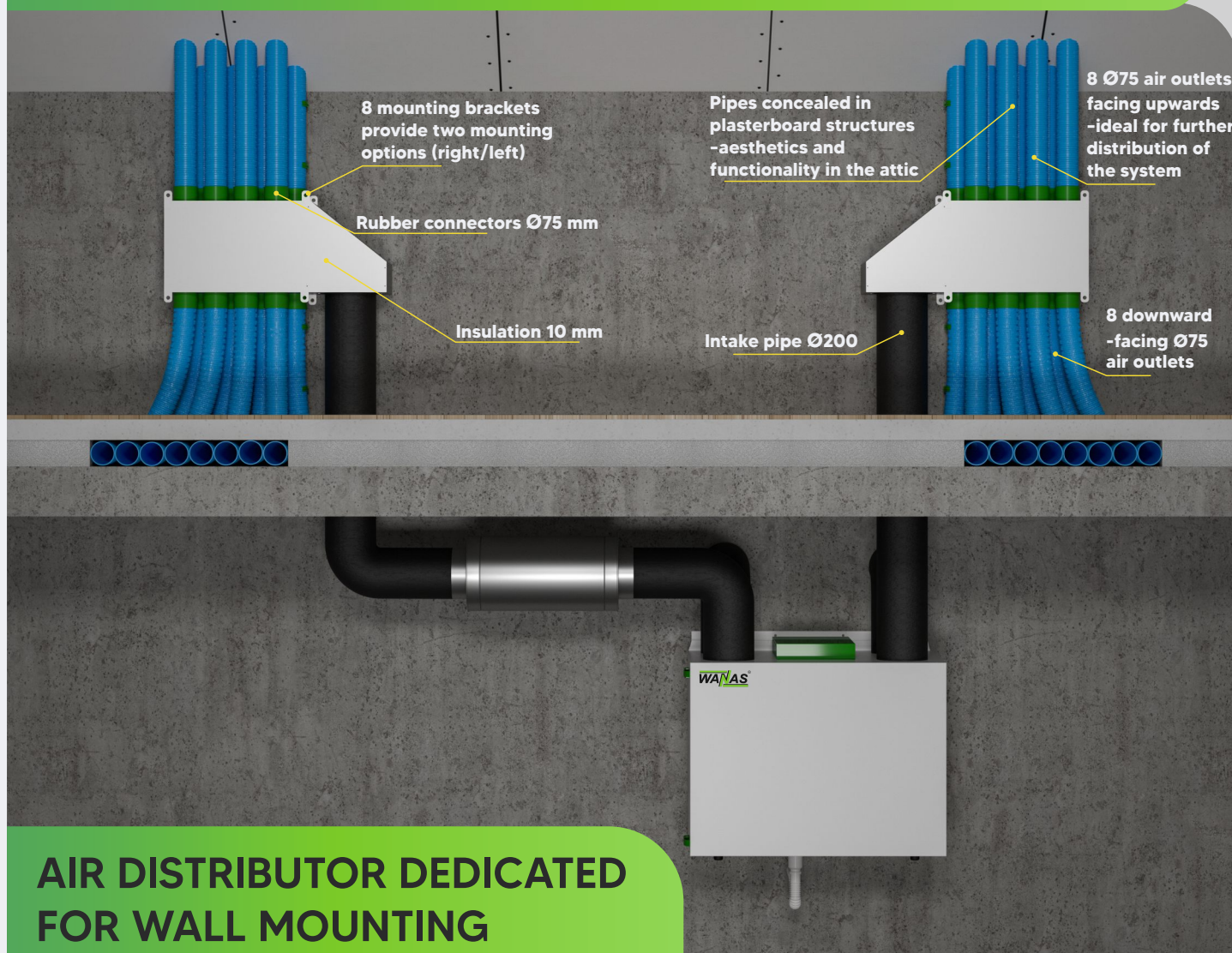
	H	W	D
8x75/160	798 mm	91 mm	622 mm
5x75/125	530 mm	160 mm	300 mm
8x75/160	430 mm	235 mm	450 mm
10x75/160	530 mm	235 mm	450 mm
12x75/200	630 mm	235 mm	450 mm
14x75/200	715 mm	235 mm	500 mm
16x75/200	815 mm	235 mm	500 mm
16x75/200	730 mm	250 mm	300 mm



# WANAS VENTILATION SYSTEM CORNER AIR DISTRIBUTOR 8x75/160



# WALL AIR DISTRIBUTOR 15x75/200



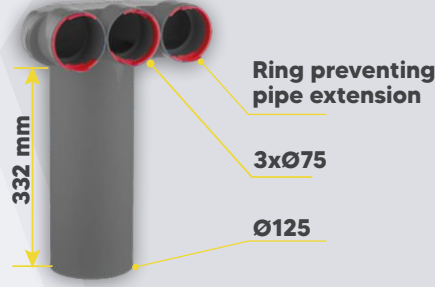
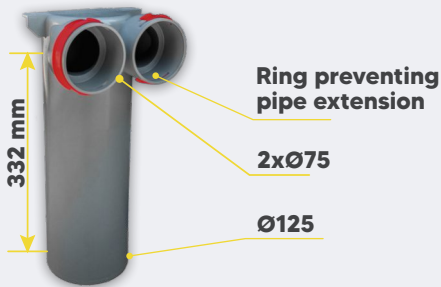
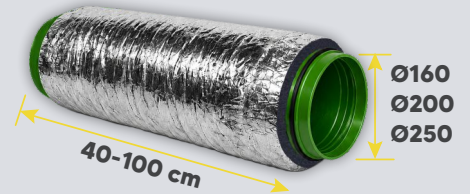
# WANAS VENTILATION SYSTEM PVC SUPPLY/EXHAUST PLENUM BOXES

Polish  
manufacturer

Acoustic  
silencer

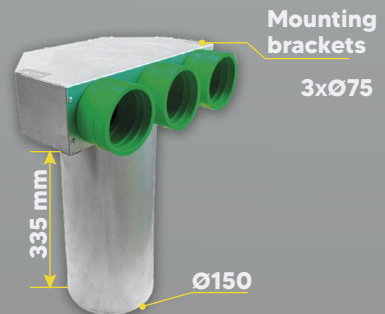
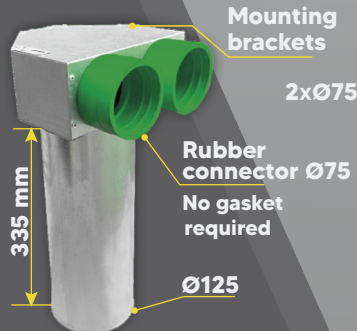
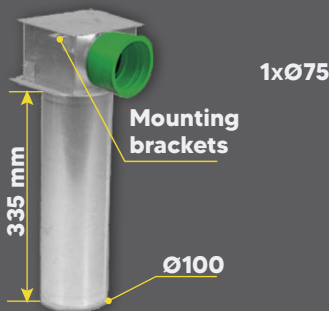
*comfort*  
Begins with  
silence

**SONIQFLEX**



## GALVANIZED SUPPLY/EXHAUST PLENUM BOXES

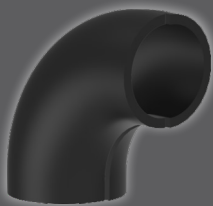
Possibility of manufacturing  
supply/exhaust plenum boxes  
with PVC connectors  
in sizes Ø100, Ø125, Ø150



## RUBBER INSULATION

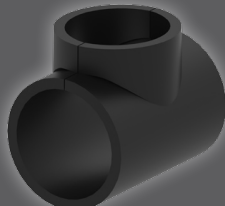
Our offer includes cut-out  
templates for ventilation pipes and  
fittings with diameters ranging  
from Ø160 to Ø250

Elbow 90°  
Ø160, Ø200, Ø250



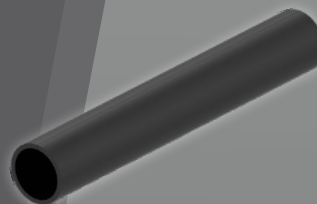
• Thickness 19 mm

T-piece  
Ø160, Ø200, Ø250



• Thickness 19 mm

Ventilation duct  
Ø160, Ø200, Ø250



• Thickness 19 mm

The rest of our  
range of ventilation  
accessories can  
be found in our  
catalogue:



## EXTERNAL INTAKE/OUTTAKE POWDER COATED



- RAL 7016
- RAL 7047
- RAL 9016

**+48 570 947 020**

[www.wanas.pl](http://www.wanas.pl)  
[export@wanas.pl](mailto:export@wanas.pl)

Wanas Sp. z o.o.  
Miłocińska 4C  
35-232 Rzeszów, Poland